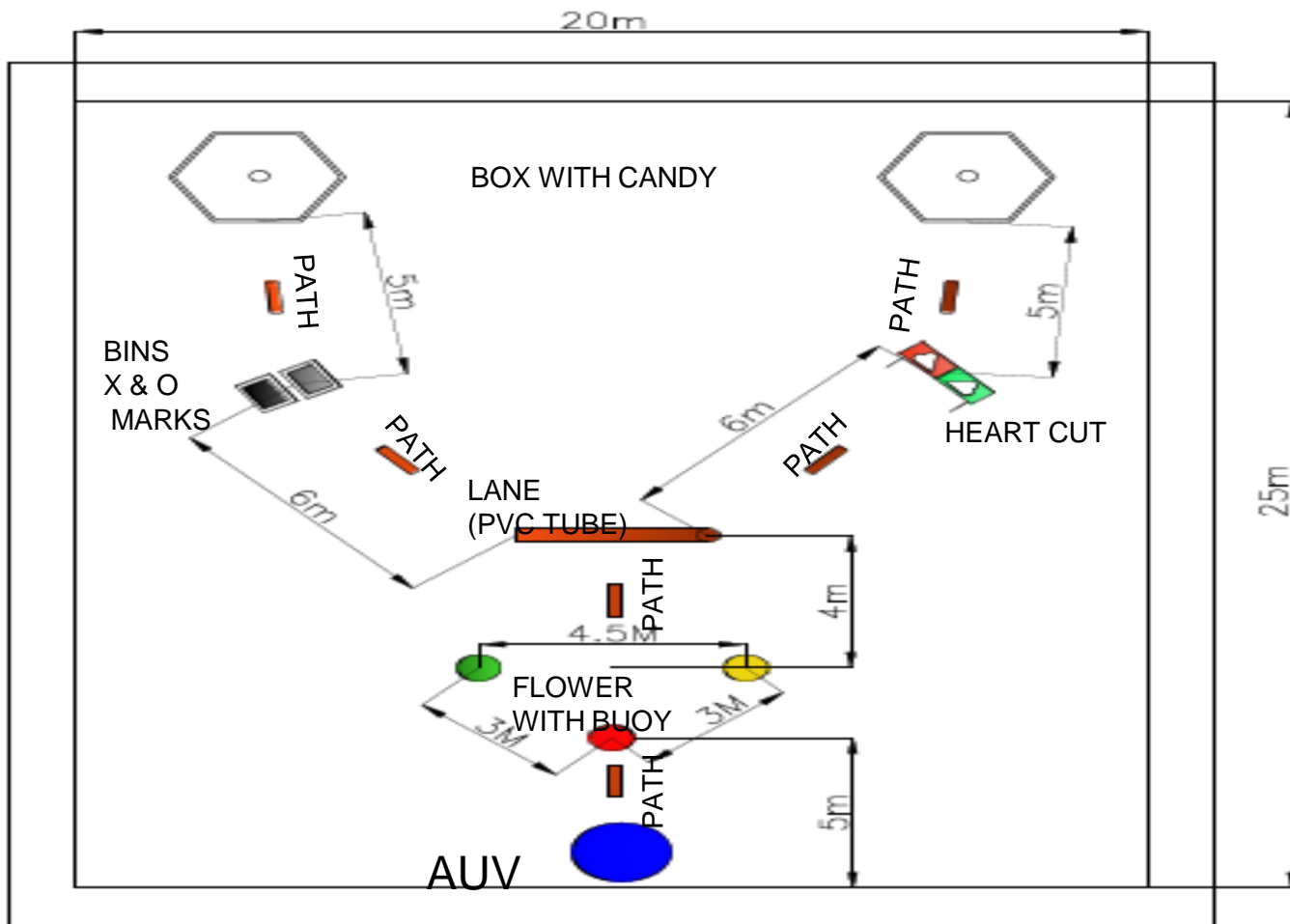
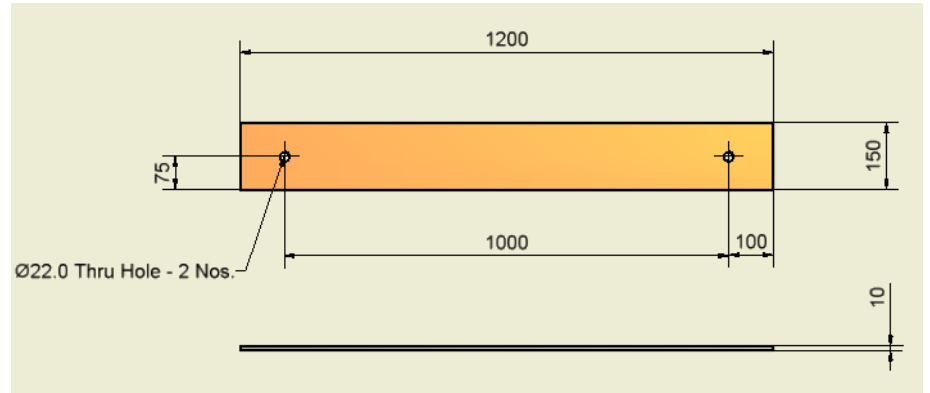
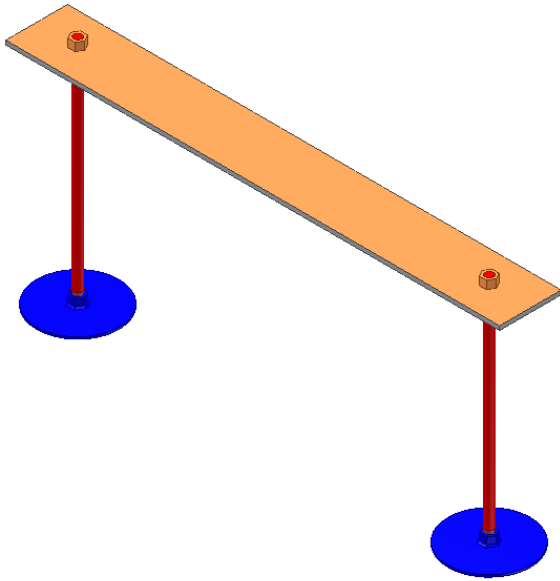


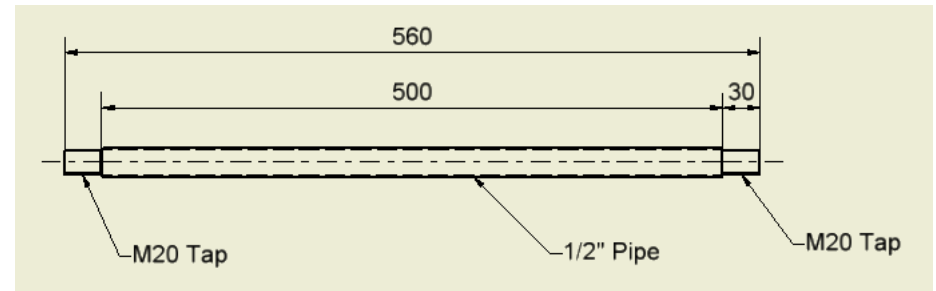
Tank Size ; 25x20x2.5 meter ( availability of swimming pool)  
Each Object distance is approx. 1 to 2.5 meter



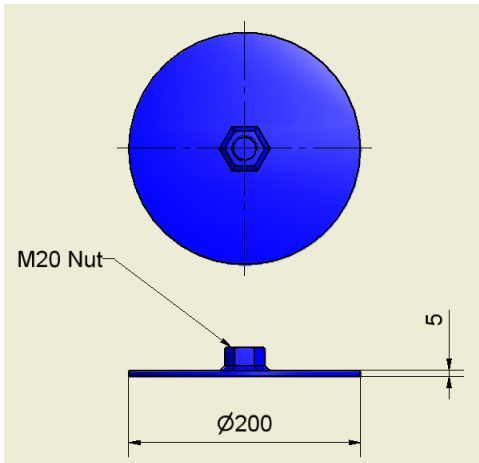
# PATH



**PVC PLATE – 1 No.**



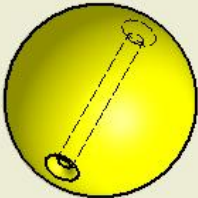
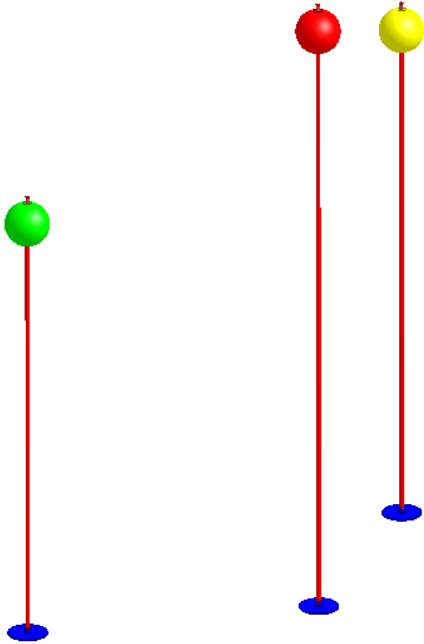
**MS SUPPORT PIPE – 2 Nos.**



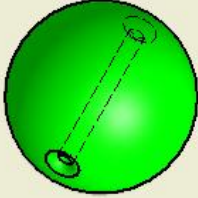
**MS Base – 2 Nos.**

**Qty. – 8 Sets.**

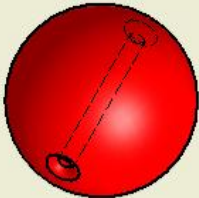
# Flowers



Yellow Float

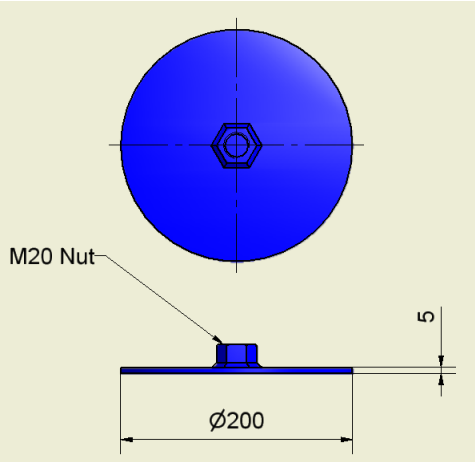


Green Float

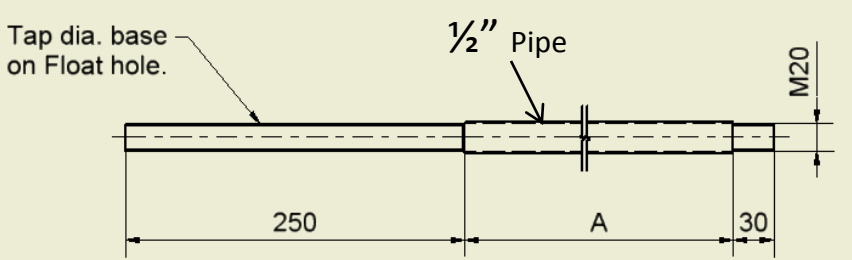


Red Float

Dia. 9" Float – Each 1 No.

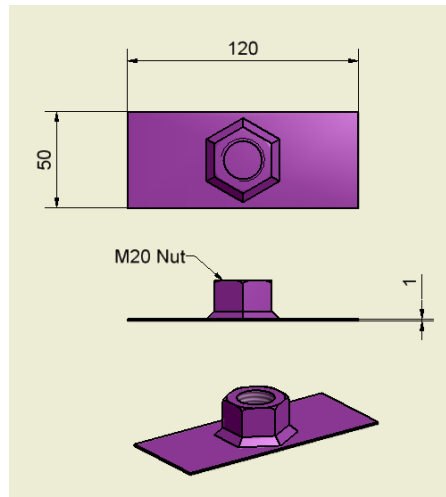
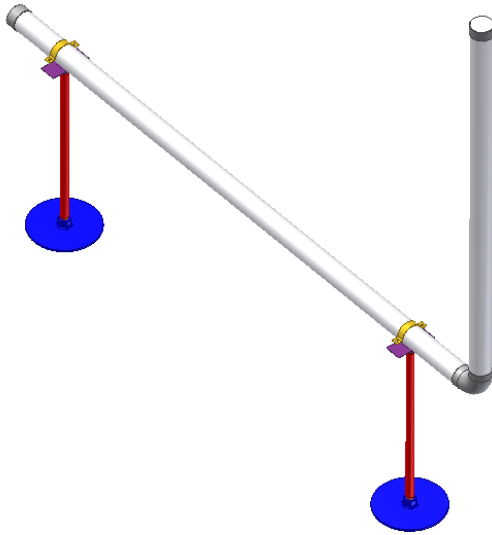


MS Base – 3 Nos.

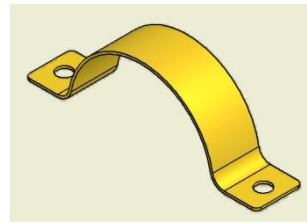


MS Support Pipe		
Sl.No.	A	Qty.
1	2100	1
2	2500	1
3	3000	1

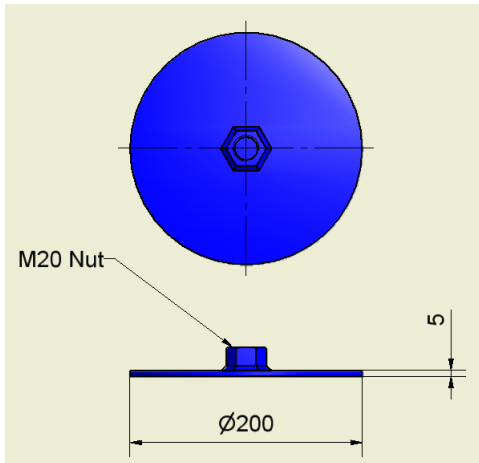
Qty.– 1 Set.



**PIPE LOCK (MS) – 2 Nos.**

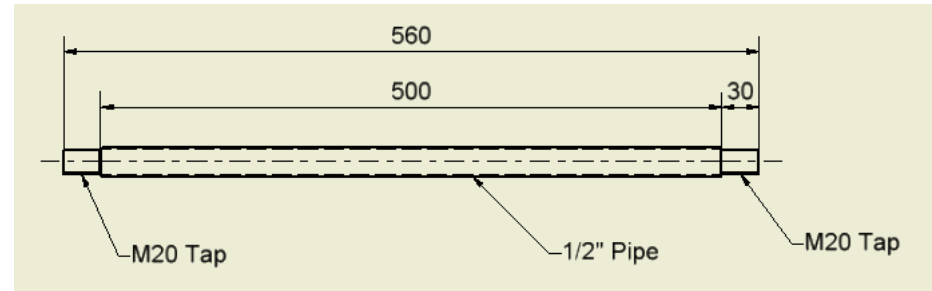
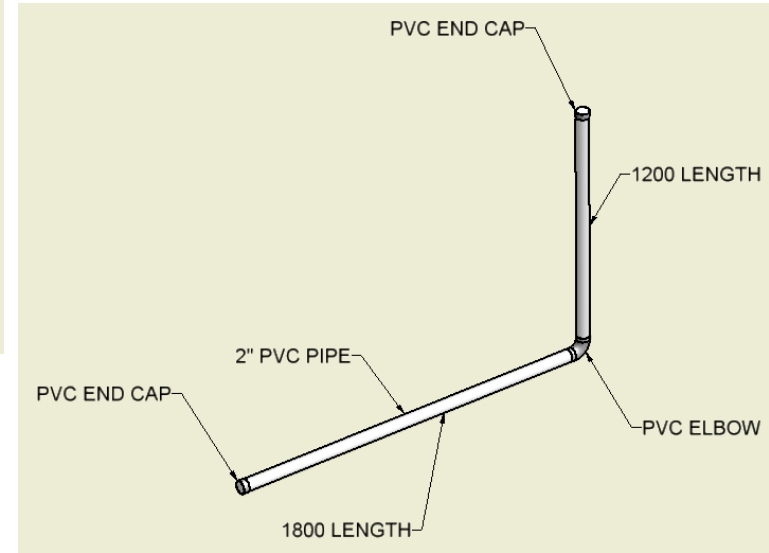


**2" Clamp – 2 Nos.**



**MS Base – 2 Nos.**

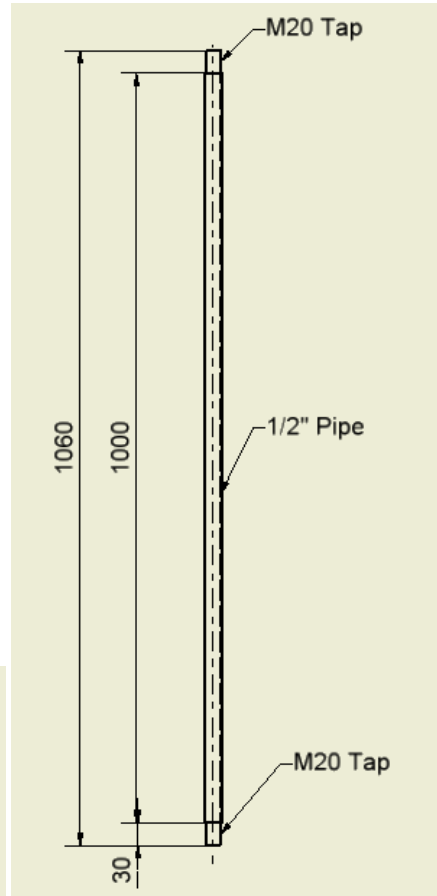
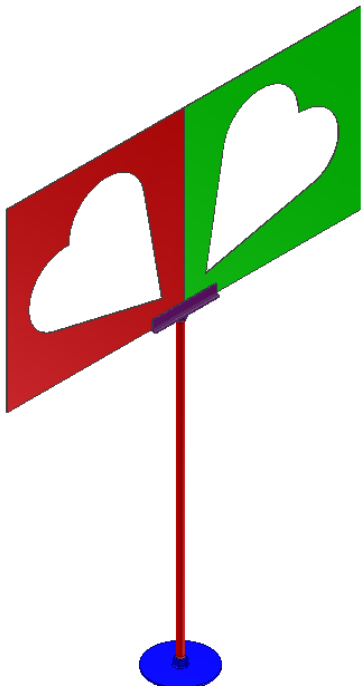
# **"L"ove Lane**



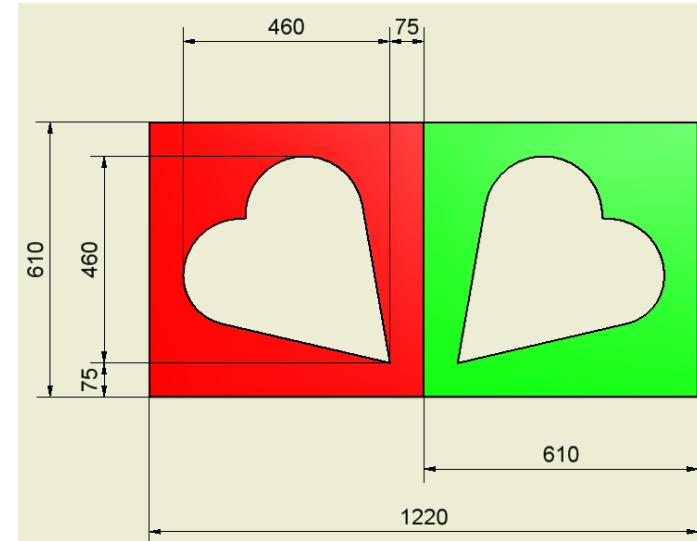
**MS SUPPORT PIPE – 2 Nos.**

**Qty. – 1 Set.**

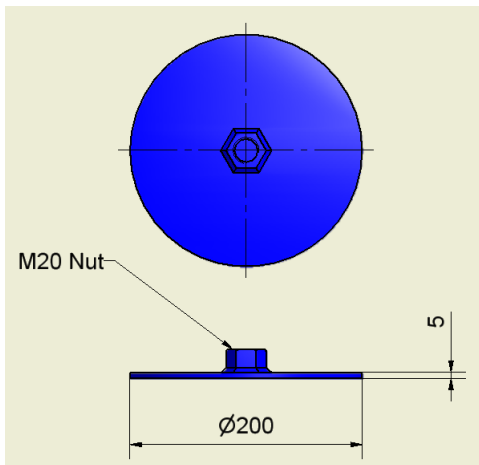
# Cupid



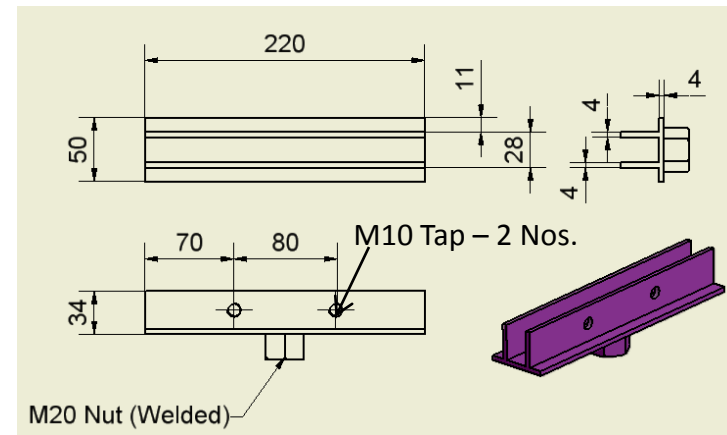
MS support pipe – 1 No.



PVC PLATE (10 Thk.)



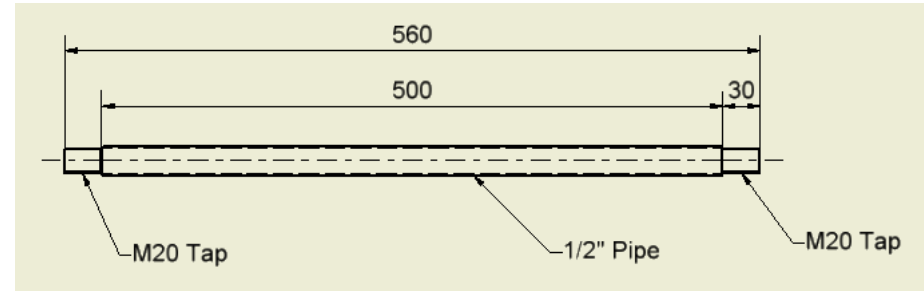
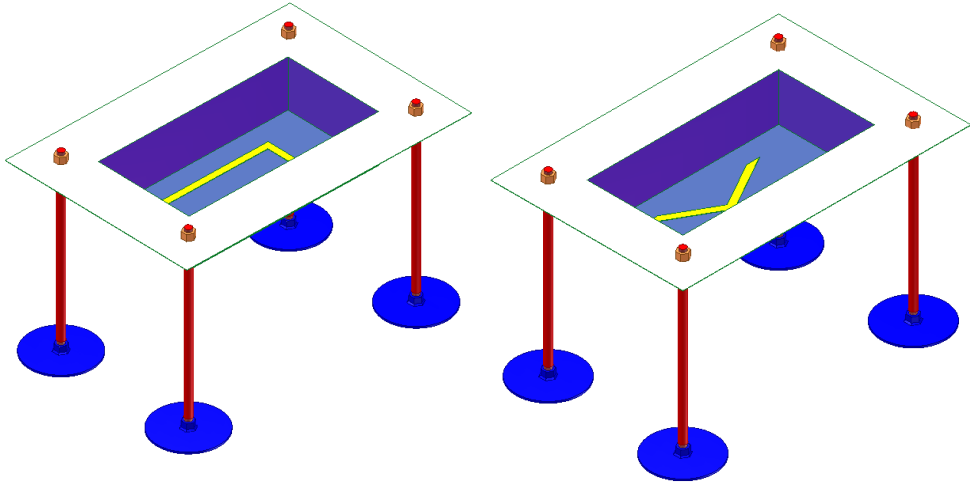
MS Base – 1 No.



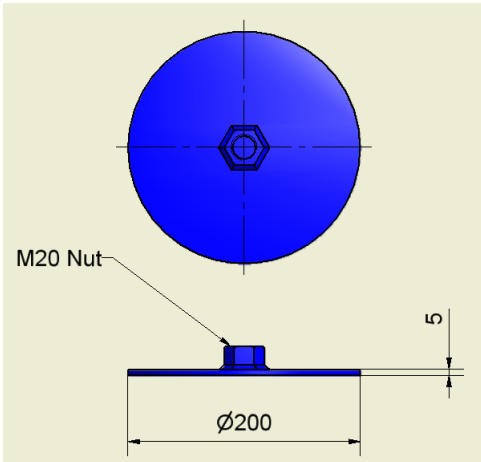
MS CLAMP – 1 No.

Qty. – 1 Set.

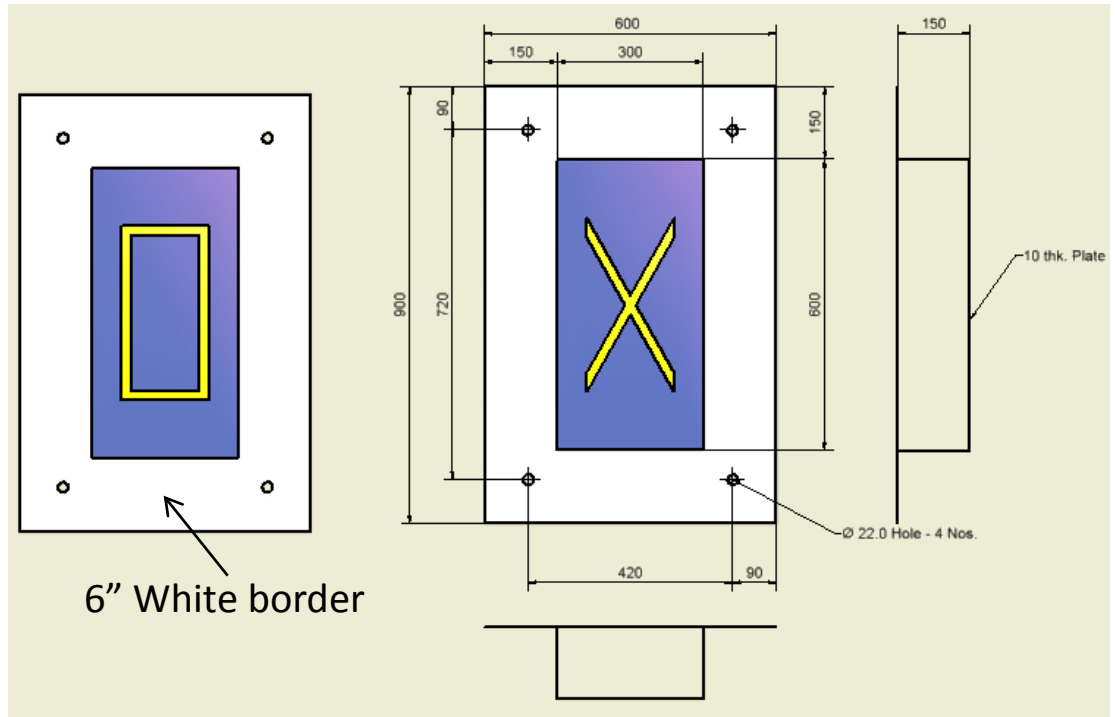
# Path and bins



**MS SUPPORT PIPE – 8 Nos.**



**MS Base – 8 Nos.**

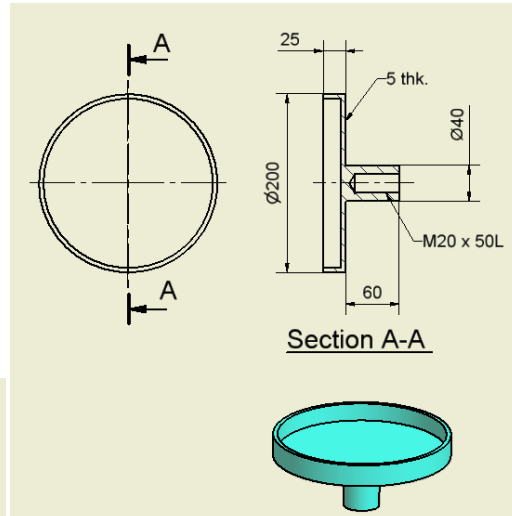
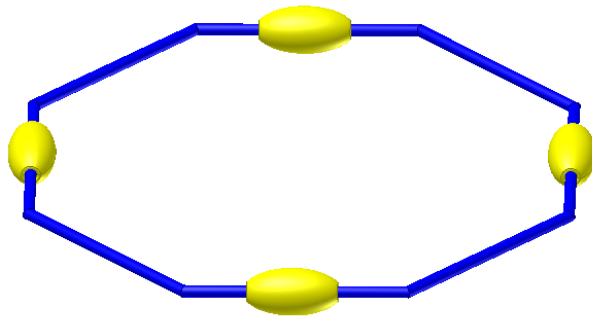


**Bin– 2 Nos. (one mark with Letter “O”**

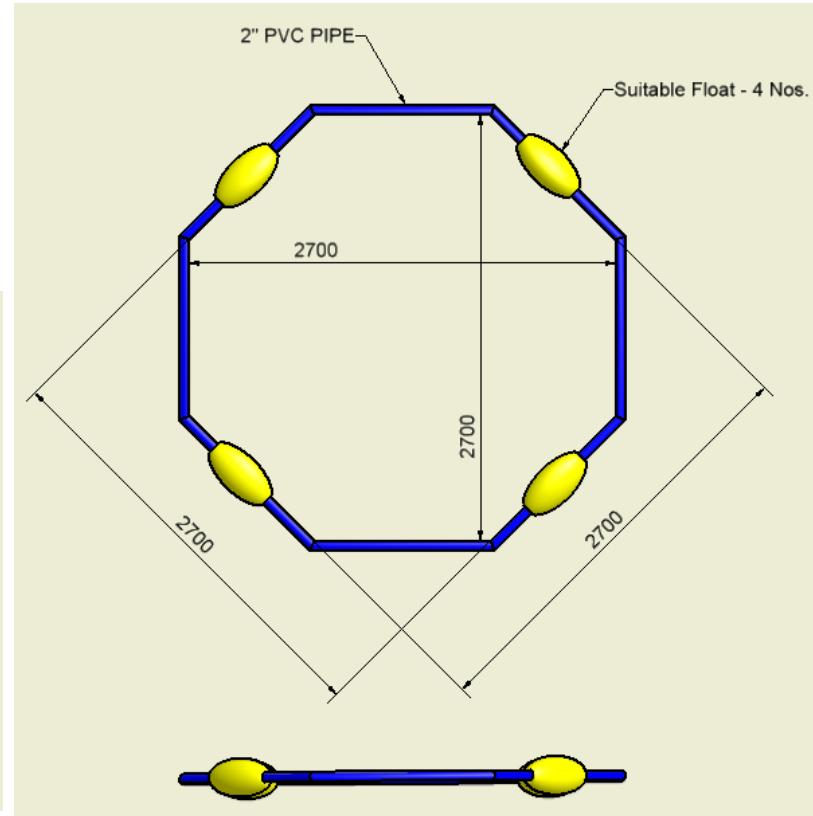
**Qty.– Each 1 Set.**

**&  
another mark with Letter “X”**

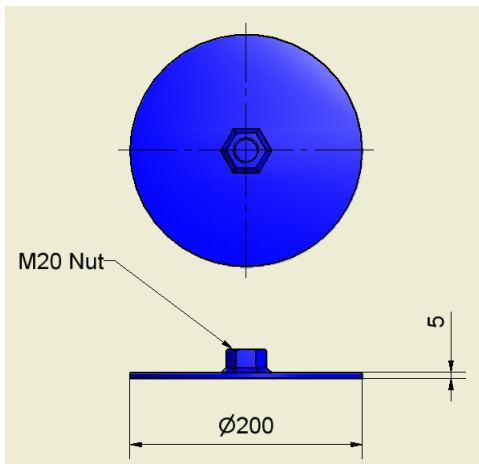
# Candy and delivery



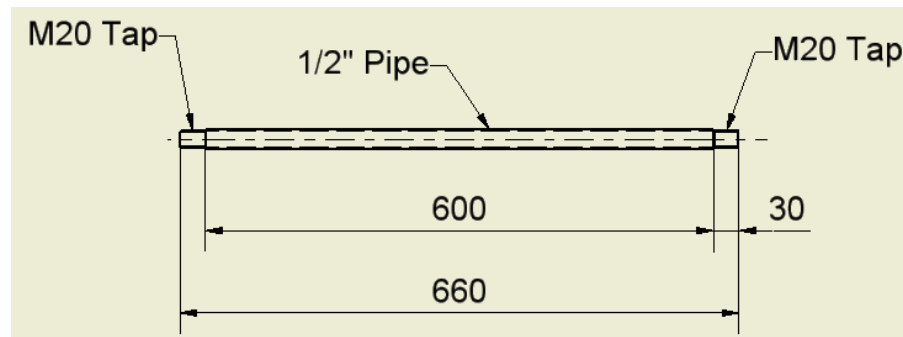
**MS Candy plate – 1 No.**



**PVC Candy & Delivery Pipe – 1 No.**



**MS Base – 1 No.**



**MS SUPPORT PIPE – 1 No.**

**Qty. – 2 Set.**